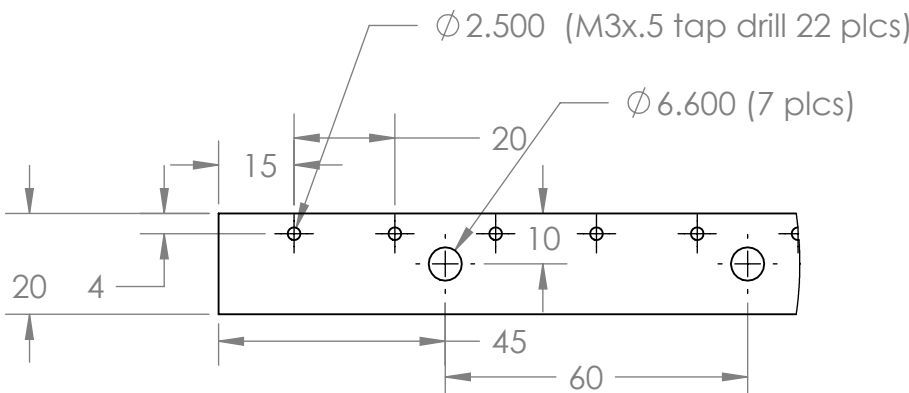
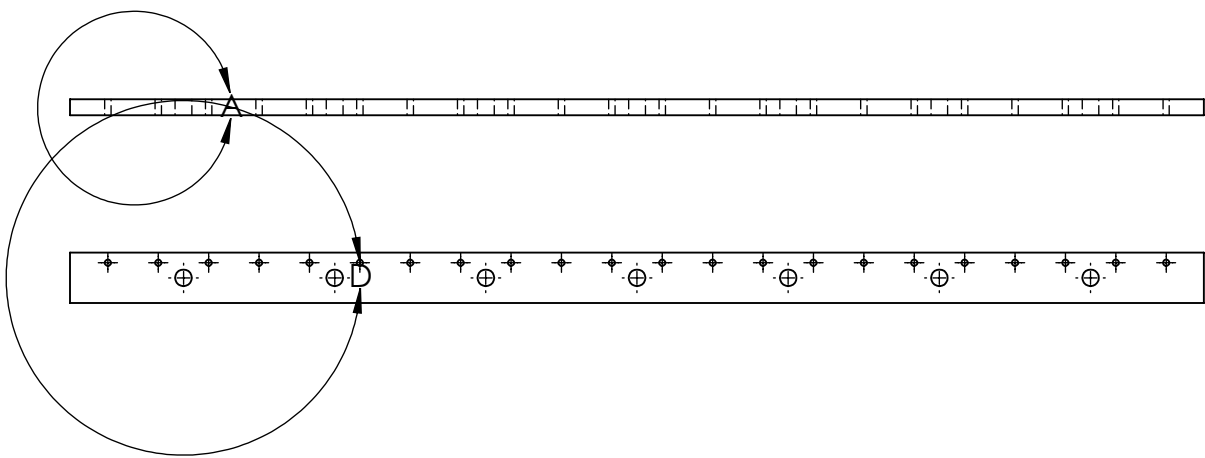


DETAIL A  
SCALE 1 : 1



DETAIL D  
SCALE 2 : 3



11

**OPEN SOURCE HARDWARE!**  
 THE CubeSpawn Project IS LICENSED  
 UNDER THE TAPR OPEN HARDWARE  
 LICENSE - [www.tapr.org/OHL.html](http://www.tapr.org/OHL.html)  
 This document is CCSA:  
[creativecommons.org/licenses/by/3.0/](http://creativecommons.org/licenses/by/3.0/)

		UNLESS OTHERWISE SPECIFIED:		NAME	DATE
		DIMENSIONS ARE IN mm	DRAWN		
		TOLERANCES:	CHECKED		
		FRACTIONAL ±	ENG APPR.		
		ANGULAR: MACH ± BEND ±	MFG APPR.		
		TWO PLACE DECIMAL ±	Q.A.		
		THREE PLACE DECIMAL ±	COMMENTS:		
		INTERPRET GEOMETRIC TOLERANCING PER:			
		MATERIAL			
		FINISH			
NEXT ASSY	USED ON				
APPLICATION		DO NOT SCALE DRAWING			

TITLE:		
SIZE	DWG. NO.	REV
<b>A</b>	0625MFOLB00Y-01000	
SCALE: 1:5	WEIGHT:	SHEET 1 OF 1